



# SHENZHEN HUA YI TENG TECHNOLOGY Co.,LTD.

4th floor, buliding one , Xinwei industrial area,Xihutang Road #23,  
Pingdong community, Longgang district,  
Guangdong province, Shenzhen.

Tel: (852)8409 9039 Fax: (852)8409 9187



California Standards  
For External Power Supplies  
Efficiency Level IV



## SPECIFICATIONS

Customer	:	
Your Part No.	:	
Designed No	:	PI09-0040 Rev.2
Model No.	:	PS06B-0500300U
Input Voltage	:	AC:100-240V, 50/60Hz
Output Voltage	:	DC:5V/300mA
Article	:	PLUG-IN SWITCHING MODE ADAPTOR
Safety Standard	:	UL1310&C22.2 No.223-M91
EMC Standard	:	FCC Part15,ClassB
<b>SPECIAL REQUIREMENT:</b>		Fulfill CEC Requirements & RoHs compliant
Weight	:	

### IMPORTANT NOTE

- 1.According to our ISO-9001 system,We can't process your P.O before you approve this specification by signing, stamping and returning the"Declaration of approval" section of this page.
- 2.This document is property of Protronics Industrial Co.,Ltd. and is prepared for the use of distribution of part or whole of this document without the written permission of Protronics is strictly prohibited

The whole specification including this and the  
Following pages have been carefully studied and  
Accepted and approved by us with no query

page 2: Contents  
page 3&4: Electrical specification  
page 5: Mechanical drawing


Client's Declaration of Approval

REV.	Modi	Date
0	Initial issue	19-11-2009
1	Change Polarity	24-11-2009
2	Change Polarity	11-12-2009

	Name	Date
Author:	Iris.Zhou	11-12-2009
Checked:	Dick.Zhou	11-12-2009
Approved:	Dick.Zhou	11-12-2009



CONTENTS

ITEM	DISCRIPTION		SPEC.
1	SCOPE		
2	Electrical Characteristics @ ambience temperature 25°C		
(2.1) INPUT CHARACTERISTICS	a	Input Voltage and Frequency	100~240VAC (50/60Hz)
	b	Input Current at 100~240Vac.	0.3A Max
	c	AC Inrush Current	50A Max
	d	Input Wattage at DC output no-load condition @115V 60Hz and 230V 50HZ	0.5W Max
(2.2) OUTPUT CHARACTERISTICS	a	Unloaded voltage	5.3Vmax
	b	Output Current (CV5.0V) at input 120Vac 60Hz	270mA-330mA
	c	Ripple & Noise@100~240V	200mV V <sub>p-p</sub> Max
	d	Average Efficiency @115V 60Hz and 230V 50Hz	53.65% Min
2.3 PROTECTION REQUIREMENT	a	Output current protection(OCP) @100~240Vac	270mA-330mA
	b	Short circuit protection @100~240Vac	NON HAZARD
3.0 Safety TEST	a	Dielectric Withstand Specification(Input to output)	1200VAC/1Sec,10mA
	b	Temperature rise	Transformer:75K
			case:50K
	c	Leakage Current(Input to output)@Ac input 100~240V	0.5mA
d	BURN-IN Test@max Load) at 40°C	Non hazards( excessive heat and fire etc)	
4.0 ENVIRONMENTAL CONDITIONS	a	Operating Temperature Range	- 0°C to 40°C
	b	Storage Temperature Range	-20°C to 60°C
	c	Operating Relative Humidity	10%~75% non- condensing
	d	Storage Relative Humidity	10%~90% non- condensing
5.0	Input Plug	US PLUG PIN	
	DC Cord	PVC cable length : NO cable Colour : Wire size : Plug :USB type A Polarity : 	
6.0	CASE	62(L)x39(W)x30mm(H)(Black)	



# 1 SCOPE

This document describe the electrical, mechanical and environmental specification of PS06B series,( PLUG IN ) single output 5V DC 300mA switch mode Adaptor with US plug pin,The power supply should have a USB type A output.

## 2.1 INPUT SPECIFICATION

### a). Input Voltage and Frequency

The power supply shall meet all specification below when powered from following sources.

Rate Voltage Range	Line Frequency	Min. Voltage	Max. Voltage
100-240VAC	50/60Hz	90VAC	264VAC

### b). Rate Input current

The rate input current is 0.3A at 100~240Vac. (At Max.Load)

### c.)A C Inrush Current

The peak inrush current shall be limited to 50A at 120Vac.for a cold start at 25°C.

### d). Input Wattage at DC output no-load condition.

Less than 0.5Watt at nominal line condition.@115V 60Hz and 230V 50Hz.

## 2.2 OUTPUT SPECIFICATION

### a) Unloaded voltage:5.3VMAX

### b) Output Current

Test Condition		
At nominal line condition.@INPUT Voltage:120V and CV5.0V		
Test Specifications		
Output	CV mode	SPEC.
5Vdc	CV5.0V	270mA-330mA

### c). Ripple & Noise @INPUT Voltage:100~240V

Test specifications		
output	Voltage	Max.peak to peak ripple&noise
CV5.0V	5V	200mV

### d). Efficiency

The minimum Average Efficiency shall be 53.65% @115V 60Hz and 230V 50Hz typically at rated load.



**2.3 PROTECTION REQUIREMENT**

**a)Output current protection(OCP) @100~240V**

The power supply shall provide over current protection on output. current inception point of output shall be limited to 0.3A±10%.The power supply will recover automatically after the overload is removed.

**b). Short circuit protection @100~240V**

No damage to the power supply shall be sustained when operating any output under any line condition, into a short circuit condition for an indefinite period of time. The power supply shall be self - recovering when fault condition remove.

**3.0 Safety TEST**

**(a) DIELECTRIC WITHSTAND SPECIFICATION(Hi-pot test)**

Shall withstand without breakdown **1200V ac** for leakage Current 10mA 1Second  
(Between AC plug and DC plug & case.)

**b) Temperature rise Test**

The temperature rise of input coil is 75K max. (By resistance method),and 50K max. on case surface (By use of thermometer) measured at rated input voltage with Sec rated current at ambienttemp 25°C

**c) leakage Current test**

The maximun allowed leakage Current 0.5mA with 120V between input and output

**d) BURN-IN Test@max Load) at 25°C**

BURN-IN Test.	Environmental Temperature	40°C
	Load Condition	Max.Load
	Input Voltage	120Vac

**4.0 ENVIRONMENT**

**4.1 Operating**

Temperature: 0 to 40 degrees centigrade

Relative Humidity: 10 to 75 percent non-condensing

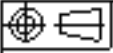
**4.2 Shipping and storage**

Temperature: -20 to 60 degrees centigrade

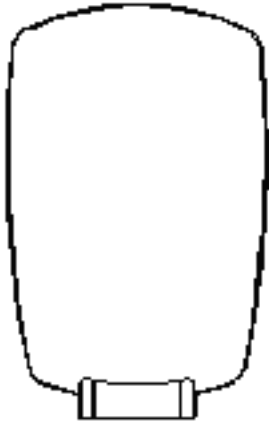
Relative Humidity: 10 to 90 percent non-condensing



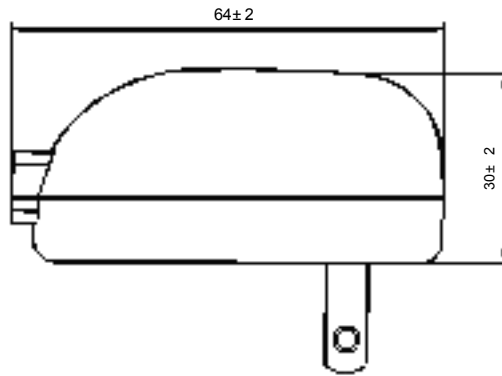
**OUTWARD DIMENSION DIAGRAM**



**REV.0**



PI09-175 REV.0



**UNIT:mm**  
TMax

TITLE:	SHENZHEN HUA YI TENG TECHNOLOGY Co.,LTD.				DRAWN:		
MAT'L:					CHECKED:		
<b>FIMM</b>	MODIFICATION		APP.	DATE	APPROVED:		
UNIT: mm	SCALE: D.N.S				MODEL NO:		
					PART NO:		
					DWG NO: -----		<b>PAGE 1 OF 1</b>
					* IQC INSPECTION POINT		A4

23.00 mm

36.00 mm

Vertical Wall or Floor Mount Only

**CAUTION**

**RISK OF ELECTRIC SHOCK  
DRY LOCATION USE ONLY  
FOR INDOOR USE ONLY**

**AVERTISSEMENT**  
POUR UTILISATION A  
L'INTERIEUR SEULEMENT

**See instruction manual for use  
in countries other than the USA**

23.00 mm

14.00 mm

**CLASS 2 POWER SUPPLY**

MODEL: PS06B-0500300U

INPUT: AC100-240V 50/60Hz 9W

OUTPUT: DC5V 300mA



4H28



MADE IN CHINA E180049  
FOR INDOOR USE ONLY

SCALE : 3:1

PI09-0040  
UL Version

**SHENZHEN HUA YI TENG TECHNOLOGY Co.,LTD.**

TYPE : Pad Printing

ART NO : ART4271-1

SCALE : 3:1

UNIT : MM

Color: White Color Wording (\_\_\_)

CHECKED BY : JY

APPROVED BY :

